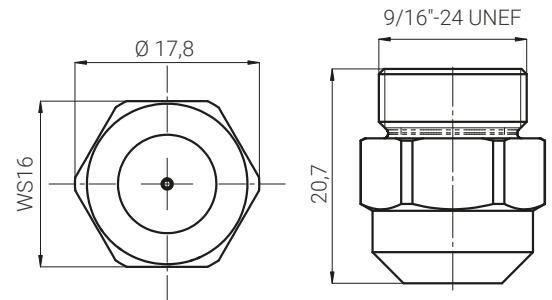
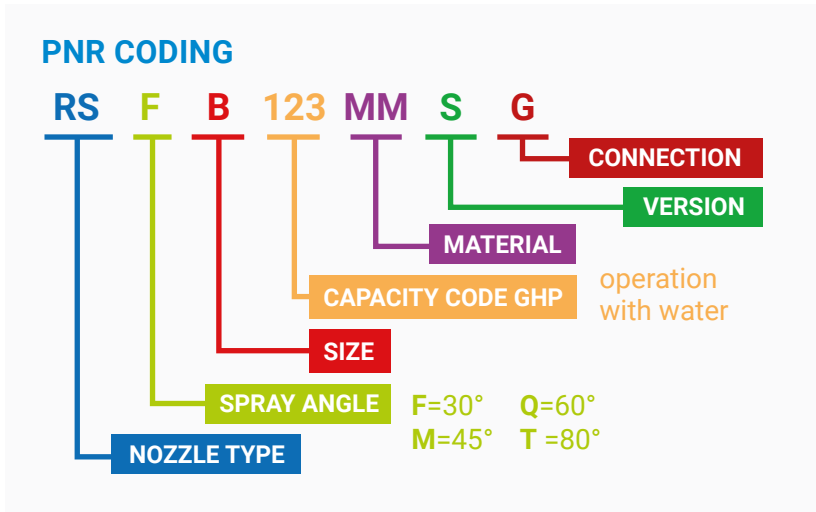




RS SERIES

HYDRAULIC ATOMIZER

RS nozzle series are designed to atomize water in high pressure and produce a very fine water mist spray. The nozzles are suitable for applications such as humidification and dust suppression.



TECHNICAL DATA

| | |
|---------------------------------|-------------------------------------|
| MATERIAL | AISI 303 stainless steel |
| NOMINAL WORKING PRESSURE | 6,89 bar/ 100 PSI |
| CONNECTION | Male 9/16" - 24 UNEF |
| SPRAY PATTERN | Hollow cone Concave distribution |

PERFORMANCES

| CAPACITY [GPH] @100PSI | CAPACITY [l/min] @6,89bar | CAPACITY CODE | SPRAY ANGLE** [deg] | | | |
|---------------------------|------------------------------|------------------|---------------------|-----|-----|-----|
| | | | 30° | 45° | 60° | 80° |
| 1,00 | 0,06 | 010 | | | X | |
| 1,20 | 0,076 | 012 | | | | X |
| 3,00 | 0,19 | 030 | X | | | |
| 5,00 | 0,31 | 050 | X | | | |
| 10,0 | 0,63 | 100 | X | | | |
| 15,0 | 0,94 | 150 | X | | | |
| 20,0 | 1,26 | 200 | X | | | |
| 26,0 | 1,64 | 260 | X | | | |
| 33,0 | 2,08 | 330 | | X | | |

All the performances in this table are obtained using water

1st Marking: Capacity GPH@100 PSI – Nominal Spray Angle
2nd Marking: PNR Code

** Spray angles not indicated must first be requested from our Technical Office for feasibility.