



UK SERIES

RETRACTING WASHING HEAD



TECHNICAL DATA

PRODUCT

UK Series

Retracting washing head

TSTE

DATE 28/07/2020

REV B

GENERAL DESCRIPTION

Our new UK Series is *a revolution in retractor design*, as it offers at the same time greater efficiency, extreme flexibility and an easier operation capability.

We have two different operating systems: *Oscillating System* and *Rotating System*.

OSCILLATING SYSTEM

We put aside the bulky stainless-steel construction and operate our washing head via a pneumatic drive or CNC. Hence the following advantages:

- ✓ the total impact of the water jet is concentrated on the circumference of one or two hollow cone sprays, moving into the tank instead of being inefficiently dispersed over the entire internal surface;
- ✓ the alternating movement of the washer covers the total inner surface of the tank and allows what was previously impossible, such as cleaning the opposite sides of an internal mixing blade;
- ✓ having control of cylinder movement, we can program short cycles concentrated over difficult points as many times as necessary;
- ✓ our standard double hollow cone head has a capacity of 90 lpm at 3 bar, but customized designs can be studied, according to customer requirements.

ROTATING SYSTEM

You can use our new UK Series as a standard one, which is installing on it a rotating head from our UBD series, as in the picture below. On this new generation of retractor, *we have applied for a patent*.

TECHNICAL DATA

FLOW RATE	90 lpm @ 3bar	
WETTING RADIUS	Max. 3.5m	
IMPACT CLEANING RADIUS	Max. effective 1.7m	
TEMPERATURE	Max. working temperature: 100°C Max. ambient temperature: 150°C	
CONNECTION	We provide you a support structure that must be welded to the tank. Then, the head structure is fixed to this support with a tri-clamp connection: thanks to this, you can easily insert or remove for inspection the whole device	
PRESSURE	Recommended operating cleaning fluid pressure:	<i>3 bar</i>
	Cleaning fluid pressure when retracted:	<i>Pressureless</i>
	Air supply pressure:	<i>2-6 bar</i>



TECHNICAL DATA

PRODUCT

UK Series

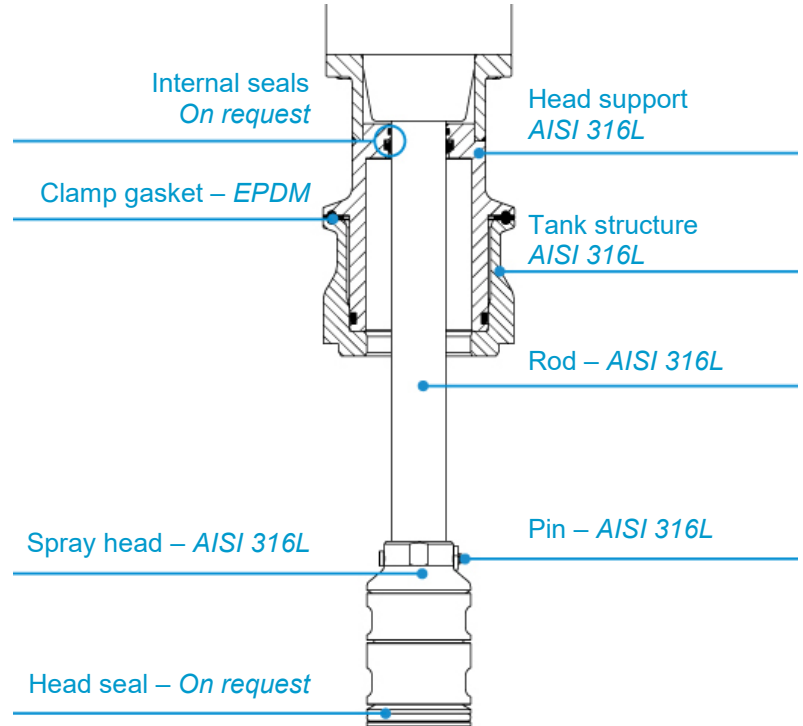
Retracting washing head

TSTE

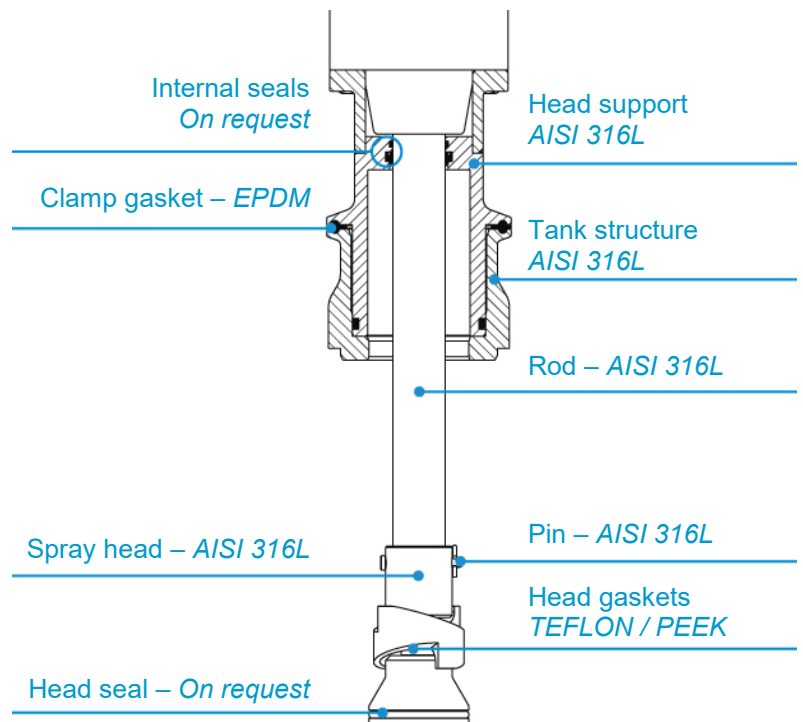
DATE 28/07/2020

REV B

OSCILLATING SYSTEM



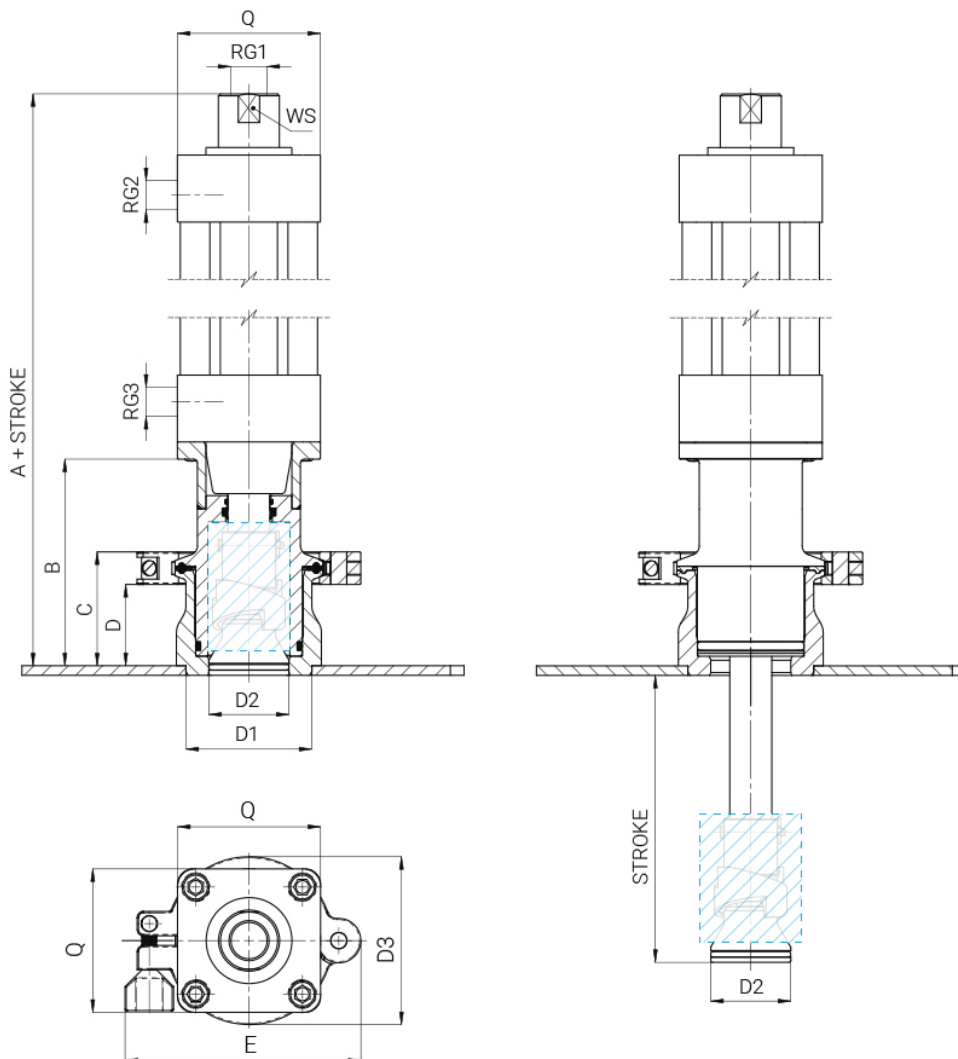
ROTATING SYSTEM



DIMENSIONS

STROKE	A	B	C	D	E	F	Q	D1*	D2	D3	D4	WS	RG1	RG2	RG3
100 ÷ 500 STEP 50 mm	260	108	~60	~40	~120	50	75	65	42	~90	77,5 DIN 32676-C 2" 1/2 T.C	30	1/2"	3/8"	3/8"

* This must be the hole of the tank. RG1: fluid inlet connection. RG2/RG3: air inlet connection to extend / retract



Dimensions in mm

Oscillating / Rotating head

The pneumatic cylinder is equipped with special positioning sensors that generate digital signals when the washing heads is either in fully extended or fully retracted positions.



TECHNICAL DATA

PRODUCT

UK Series

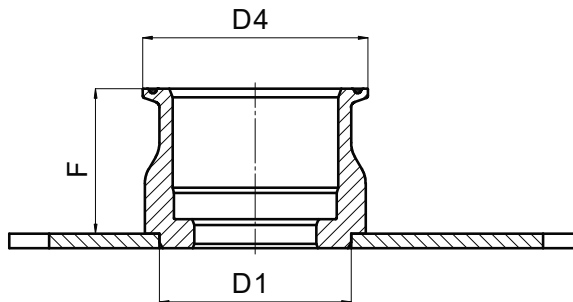
Retracting washing head

TSTE

DATE 28/07/2020

REV B

TANK CONNECTION

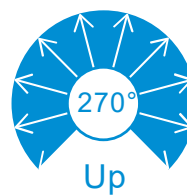


SPRAY PATTERN

OSCILLATING SYSTEM

Double cone with customizable spray angle.

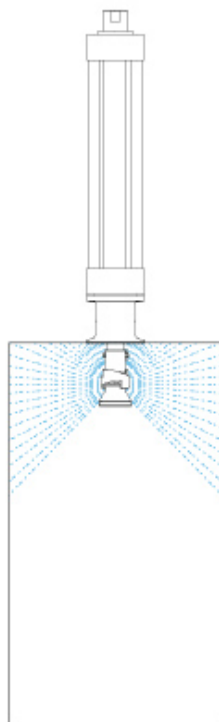
ROTATING SYSTEM



ROTATING SYSTEM

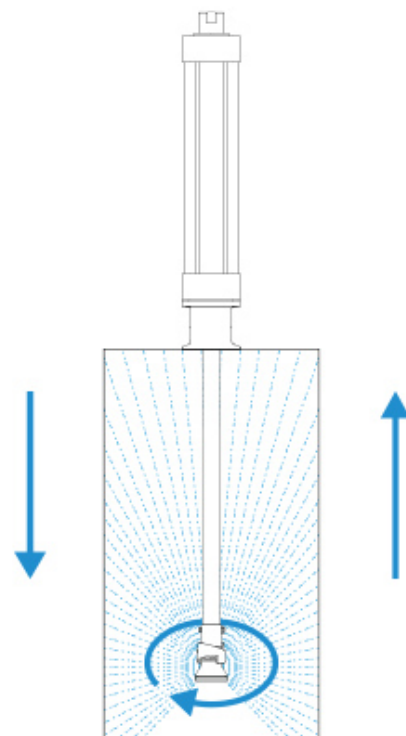
1) WASHING HEAD

You can use our new UKD retractor as a standard one, which is installing on it a rotating head from our UBD series.



2) CONNECTION

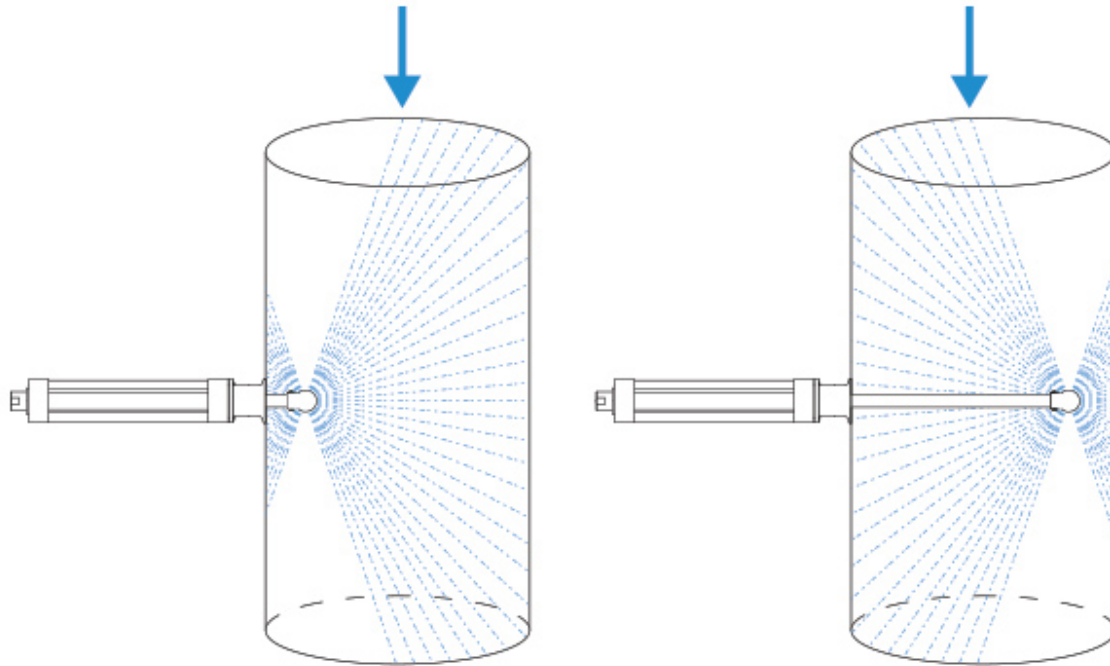
We provide a support structure welded to the tank: the head structure is fixed with tri-clamp connection.



OSCILLATING SYSTEM

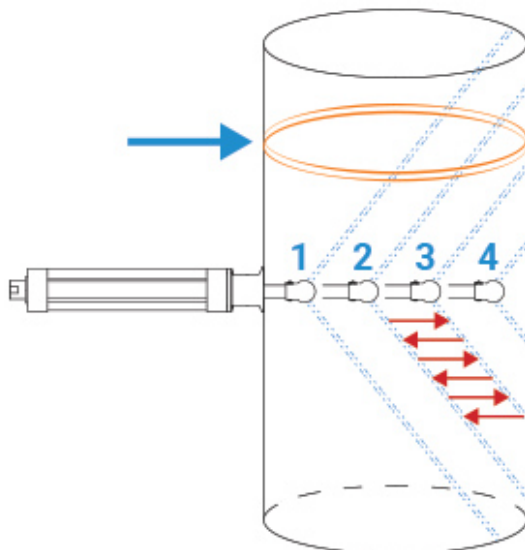
1) WASHING TANKS

All impacts on the hollow cone spray edge travelling continuously, back and forth. Inner surface swept all the time.



2) DIFFICULT SPOT

You can keep the washing head repeating the cycle 2-3-2-3 as many times as required.



3) WASHING MIXER BLADES

