



UBR SERIES

HIGH PRESSURE ORBITAL
TANK WASHING HEADS

Our UBR range is designed for washing small containers. The design ensures quality and reliability. The accessories available make its use even easier, greatly facilitating some repetitive and uncomfortable operations by eliminating many required preparation processes.

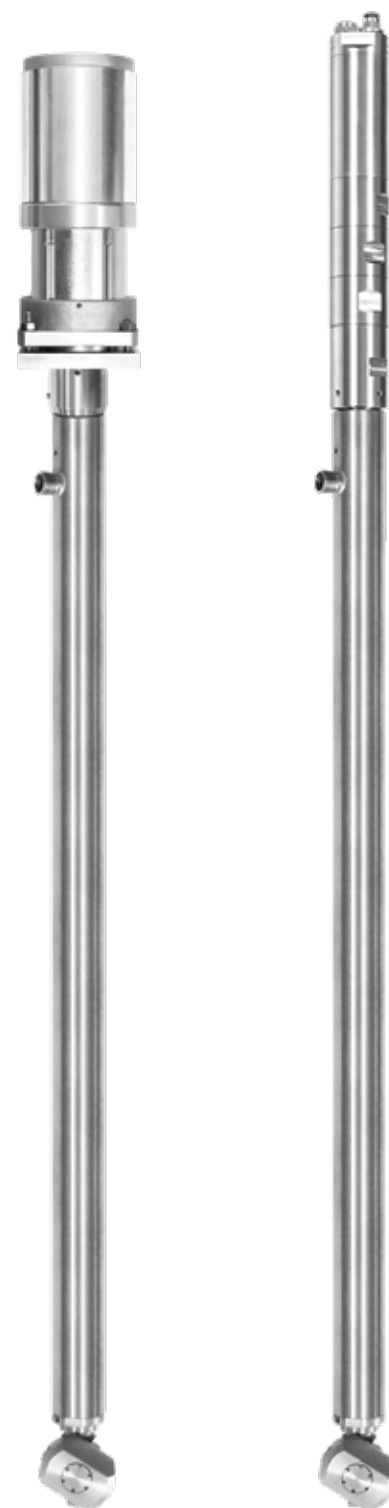
TECHNICAL SPECIFICATIONS

The washing heads of the UBR series have been designed to wash small containers with an effective high-pressure jet. This product is driven by an external electric or pneumatic motor, allowing only the tube with the rotating head to be introduced into the container to be washed. This configuration ensures high reliability, and the limited dimensions allow for easy transport. The highest quality materials, high precision mechanical machining, and the choice of motors produced by selected suppliers make these devices ideal in many applications.

MATERIALS	BODY	AISI 316 L STAINLESS STEEL
	SEALS	EPDM
COVERAGE	360°	

MOTORIZATION	ELECTRIC AND PNEUMATIC
PIPE LENGTH * [L] AND WEIGHT [KG] ELECTRIC VERSION	500 mm > 7.3 Kg 700 mm > 8.9 Kg 1000 mm > 10.5 Kg 1500 mm > 12.1 Kg 2000 mm > 16.9 Kg
PIPE LENGTH * [L] AND WEIGHT [KG] PNEUMATIC VERSION	500 mm > 5.2 Kg 700 mm > 6.8 Kg 1000 mm > 8.4 Kg 1500 mm > 10 Kg 2000 mm > 14.8 Kg
WORKING PRESSURE	from 35 to 150 bar
FLOW RATE	from 8 to 64 l/min to 35 bar from 17 to 56 l/min to 150 bar
OPERATING TEMPERATURE	over 150°C
NOZZLES	number 2
WATER CONNECTION	3/8" BSP
MINIMUM OPENING FOR INSTALLATION	Ø > 56 mm

* Possibility of requesting the tube length from a minimum of 500mm

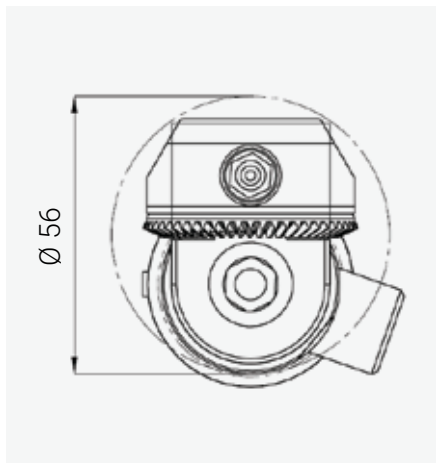
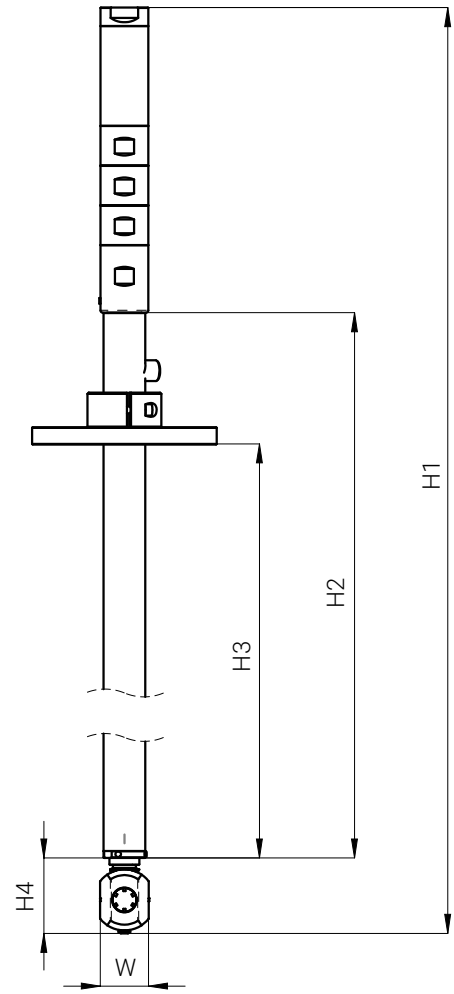
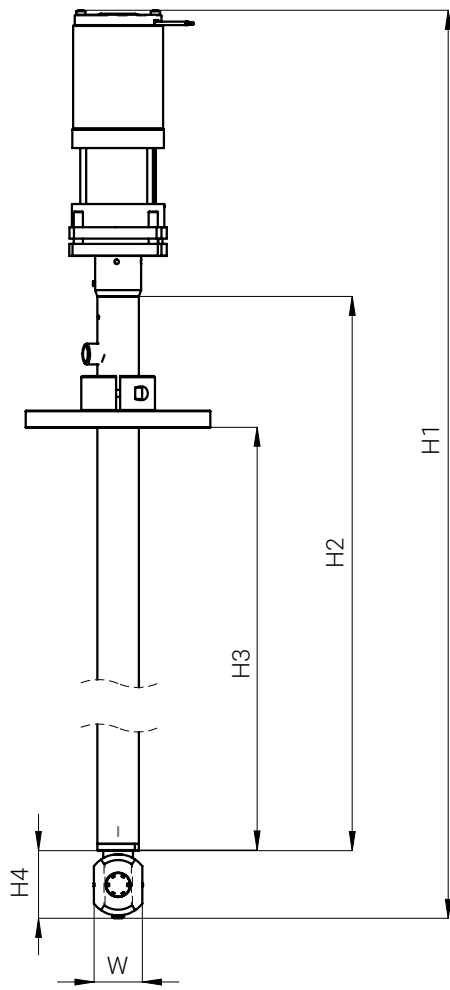


**UBR HEAD
WITH ELECTRIC
MOTOR**

**UBR HEAD
WITH PNEUMATIC
MOTOR**

DIMENSIONS

TUBE LENGTH [X]	ELECTRIC MOTOR					PNEUMATIC MOTOR				
	H1 [mm]	H2 [mm]	H3 [mm]	H4 [mm]	W [mm]	H1 [mm]	H2 [mm]	H3 [mm]	H4 [mm]	W [mm]
A	809	500	380	65	42	829	500	380	65	42
B	1009	700	580	65	42	1029	700	580	65	42
C	1309	1000	880	65	42	1329	1000	880	65	42
D	1809	1500	1380	65	42	1829	1500	1380	65	42
E	2309	2000	1880	65	42	2329	2000	1880	65	42



POWER AND CONSUMPTION TABLE FOR ENGINES

MOTORIZATIONS	ELECTRIC MOTOR	PNEUMATIC MOTOR
ARTICLE VARIANT	UBR A ...	UBR B ...
POWER	15 W	/
HEAD WORKING PRESSURE	35 - 150 bar	35 - 150 bar
WORKING TEMPERATURE	150°C	150°C (40°C for ATEX compliance)
PROTECTION RATING	with motor cover IP 65	IP 66
USE IN HAZARDOUS ENVIRONMENTS	No	ATEX Ex II 2GD h T6 IIC T85°C
SPEED OF ROTATION	15 rpm	18 rpm
POWER SUPPLY	24 V DC (power supply up to 48V possible)	3 - 7 bar
HOUSING MATERIAL	Aluminium	Hardened steel / Aluminum
DIMENSIONS	maximum overall dimensions Ø 108 mm	maximum overall dimensions Ø 41,5 mm
WEIGHT	1,950 kg	1,750 kg
AIR CONSUMPTION MAX. SPEED	/	9,9 l/s
CE STANDARD REGULATIONS	/	DIN EN 1127-1:2011 DIN EN ISO 12100:2010 EN ISO 80079-36:2016 EN ISO 80079-37:2016
ABSORPTION	2A	/
ISOLATION	Class B	/
REDUCTION RATIO	140/1	/

WASHING HEAD FLOW RATE

FLOW RATE VARIANT	FLOW RATE [l/min] at 10 bar	FLOW RATE [l/min] at 15 bar	FLOW RATE [l/min] at 20 bar	FLOW RATE [l/min] at 35 bar	FLOW RATE [l/min] at 50 bar	FLOW RATE [l/min] at 100 bar	FLOW RATE [l/min] at 150 bar	PNR NOZZLES CODE*
008	4,34	5,32	6,14	8,12	9,7	13,72	16,8	XUB RN01 C2x
011	5,89	7,21	8,32	11,02	13,16	18,6	22,8	XUB RN02 C2x
016	8,73	10,7	12,34	16,34	19,52	27,6	33,8	XUB RN03 C2x
021	11,45	14,02	16,18	21,42	25,6	36,2	44,4	XUB RN04 C2x
027	14,5	17,8	20,6	27,2	32,6	46	56,4	XUB RN05 C2x
033	17,7	21,7	25	33,1	39,6	56	-	XUB RN06 C2x
040	21,6	26,5	30,4	40,4	48,2	-	-	XUB RN07 C2x
064	34,3	42	48,5	64,2	-	-	-	XUB RN08 C2x

* The final letter x indicates the possibility to choose between 3 types of spray angles:

A → 0°

B → 15°

C → 25°

ASSEMBLY ON THE TANK

These washing heads can be introduced into the tanks with three different solutions:

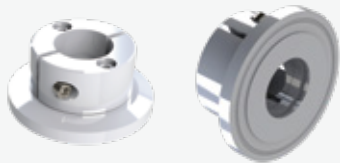
- *conical caps* for temporary use on openings of various diameters;
- *tri-clamp or swivel joints* for removable mounting;
- *connections with flange* for stationary mounting.

CONNECTION VARIANT [Y]	TYPE OF CONNECTION *	REGULATION	NOMINAL DIAMETER
T6	Tri-clamp	DIN 32676	DN 65
T8 (STD.)	Tri-clamp	DIN 32676	DN 80
T1	Tri-clamp	DIN 32676	DN 100
G6	Swivel joint	DIN 11851	DN 65
G8	Swivel joint	DIN 11851	DN 80
G1	Swivel joint	DIN 11851	DN 100
F6	Flange	UNI EN 1092-1	DN 65 PN 6
S6	Flange	UNI EN 1092-1	DN 65 PN 10
R6	Flange	UNI EN 1092-1	DN 65 PN 16
V6	Flange	UNI EN 1092-1	DN 65 PN 25
F8	Flange	UNI EN 1092-1	DN 80 PN 6
S8	Flange	UNI EN 1092-1	DN 80 PN 10
R8	Flange	UNI EN 1092-1	DN 80 PN 16
V8	Flange	UNI EN 1092-1	DN 80 PN 25
F1	Flange	UNI EN 1092-1	DN 100 PN 6
S1	Flange	UNI EN 1092-1	DN 100 PN 10
R1	Flange	UNI EN 1092-1	DN 100 PN 16
V1	Flange	UNI EN 1092-1	DN 100 PN 25
Y	Cone	---	D. 50 - 80 mm

* Possibility to request additional connection types

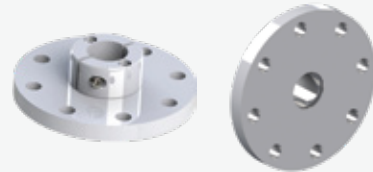
TRI-CLAMP CONNECTION

DIN 32676



FLANGE CONNECTION

UNI EN 1092-1

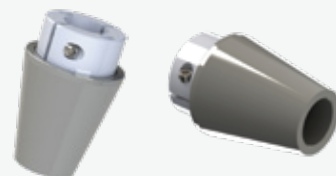


SWIVEL JOINT

DIN 11851



CONICAL CAPS CONNECTION



OPTIONAL EQUIPMENT

INDEPENDENT CART

CODE XUB R101 B31



The trolley allows the transport of the necessary for washing operations.

It is designed to contain the washing head, the high-pressure pump with its motor and electric control panel, and the hose reel for the high-pressure hose that allows positioning the washing head in position.

All wiring and electrical parts have IP65 protection; bring the trolley to the desired position, lock the wheels and connect the pump to a supply water line.

The pump can also be equipped with a venturi eductor for mixing the washing water with a possible detergent product.

The trolley can accommodate pumps with capacities up to 20 lpm, but our Technical Office can develop special models for special needs.

COVER FOR UBR WITH ELECTRIC MOTOR

CODE XUB R036 D32

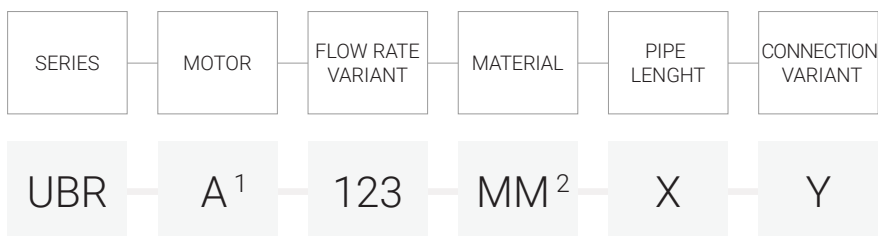


REGULATOR FILTER FOR UBR WITH PNEUMATIC MOTOR

CODE XUB R102 V1



HOW TO MAKE UP THE NOZZLE CODE



¹ Motorization: A for electric motor, B for pneumatic motor

² Material: B31 (AISI 316 L)